

IPR30

Information panel to measure vehicle speed
(Your Speed Sign)

Datasheet



Your Speed Sign

Your speed sign , or speed measuring panel is equipment which displays to passing driver his/her actual speed. **Knowing the local speed limit the driver mostly (70% of them) slows down towards to speed limit.**

Besides of that road safety function , the equipment is collecting traffic data as is :

- Maximum speed peaks every minute , for aprox 60 days in memory .
- Average speed value for every minute during 60days
- With enclosed software print out speed statistics in various forms
- Download data via BlueTooth or optional GSM modem (For more panels in the city etc.) into your laptop or PC.

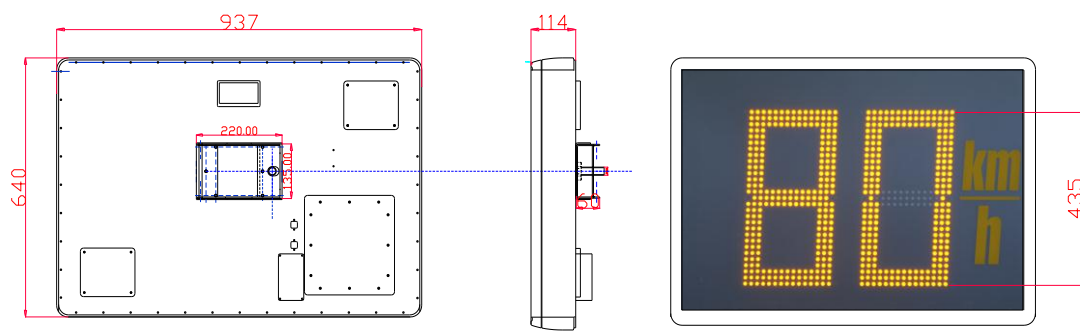
All the equipment is power supplied from street light line, working from internal accumulator during the day.



NWK TECHNOLOGY s.r.o., Březnice 66, PSČ 760 01 , Tel : 577 159 171, Fax : 577 159 170
e-mail: nwk@nwk-tech.com , http: www.nwk-tech.com

Technical specifications:

1	Dimensions:	940 x 640x 110*)mm 110mm dimension exceeds the back part of the radar
2	Weight:	12 kg, without accumulator and case
3	Display type:	LED display „188“, colour – amber yellow 590nm , 4300 mcd Character height 426mm
4	Power supply:	Internal replaceable accumulator 12V/17Ah or 230VAC/12DVC/3A (IPR-N type) , from night street light supply line.IPR-N contains 30Ah/12V accumulator for cyclically operation.
5	Operating temperature range:	-25 to +55 °C
6	Protection rating:	IP55
7	Minimal speed measurable:	10 km/hr.
8	Maximal speed measurable:	99 km/hr.
9	Accuracy in measurement:	+/-1 km/hr.
10	Radar sensitivity	50 to 300m , adjustable in 10 levels, sensitivity effected by measuring conditions (interference, reflects...)
11	Radar operating frequency:	24,15GHz , based on GL-30/R/200
12	Measuring principle:	Doppler , measurement of arriving vehicles only
13	Operating time with battery:	12-56 hrs. depending on traffic density, display brightness and ambient temperature and battery condition
14	Installation method:	Φ 60,0mm pipe ring
15	Electrical interference, connectors	1x connector for power supply 1x connector for connecting auxiliary text display



NWK TECHNOLOGY s.r.o., Březnice 66, PSČ 760 01, Tel : 577 159 171, Fax : 577 159 170
e-mail: nwk@nwk-tech.com, [http: www.nwk-tech.com](http://www.nwk-tech.com)



NWK TECHNOLOGY s.r.o., Březnice 66, PSČ 760 01 , Tel : 577 159 171, Fax : 577 159 170
e-mail: nwk@nwk-tech.com , http: www.nwk-tech.com